

Thermory's selection of sauna mouldings serves a variety of purposes, from covering gaps and filling in corners to rounding off the visual theme of the sauna.

Whether you're after a traditionally decorative style or a simpler look, we have you covered.

1. Preparation and storage
2. Installation of the mouldings
 - 2.1 External angle cover mouldings
 - 2.2 Internal angle mouldings
 - 2.3 Cover mouldings



1. Preparation and storage



Store the mouldings indoors, in a dry area where they're protected from both rain and direct sunlight.



Ideally, store the products in the room where they'll be installed for a few weeks prior to installation. This will allow the wood to acclimatize to the temperature and humidity in the room.



Make sure the mouldings are stored and installed at the same temperature. The ideal temperature is around 15–22 °C.



During storage, the mouldings must be kept in unopened packages. Only remove the shrink wrap immediately before installation.



Make sure you have enough material, as slight color variations can occur between batches.



Ensure that the sauna room is sufficiently ventilated.



Walls STP 15 x 90 mm alder, benches SHP 28 x 90 mm alder.

2. Installation of the mouldings



To ensure an accurate, error-free result, make sure the space is sufficiently lit throughout the whole installation process.



Install the mouldings with stainless steel finishing nails. The nails should not extend through the batten or damage the foil vapor barrier.

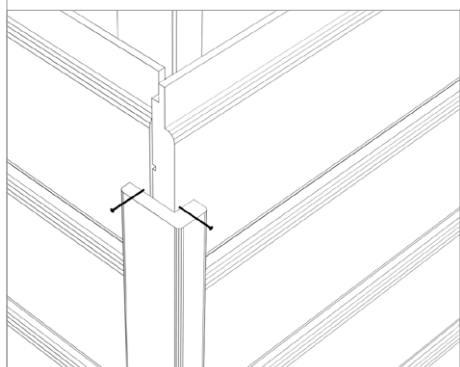
2.1 EXTERNAL ANGLE COVER MOULDINGS

Our external angle cover mouldings can be used to give the external corners of your sauna a clean, beautiful finish.

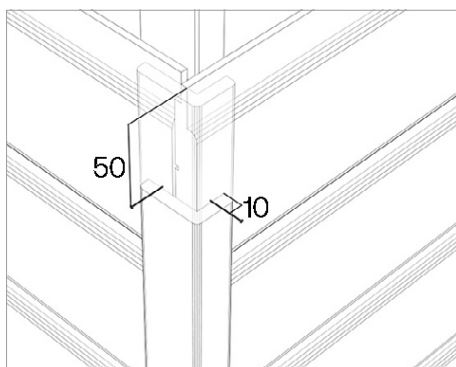


When installing external angle cover mouldings, the finishing nails should be placed at least 10 mm from the edges of the mouldings and at least 50 mm from the ends.

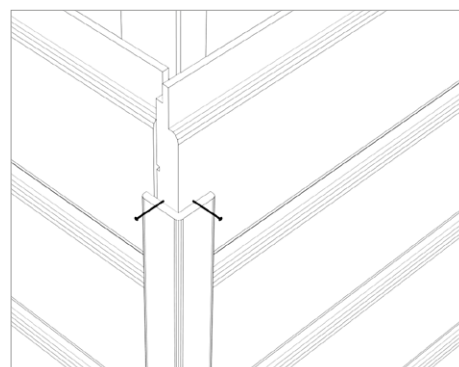
VÄ 21x42



VÄ 28x42



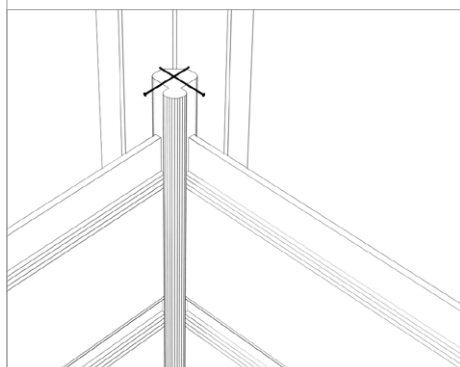
VÄ 21x21



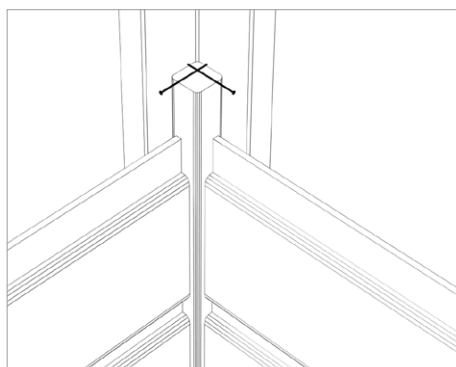
2.2 INTERNAL ANGLE MOULDINGS

Internal angle mouldings give internal wall corners a flawless finish with virtually no effort. Make sure to fix the mouldings into the corners before starting to install the wall panels.

SI 25x25



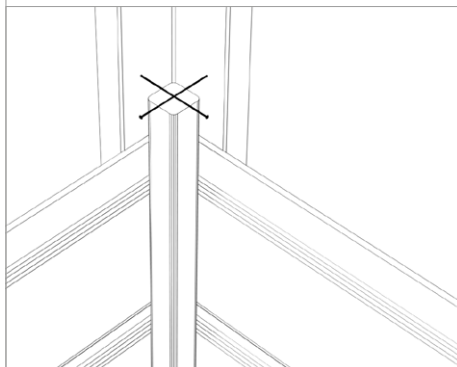
SHP 21x21



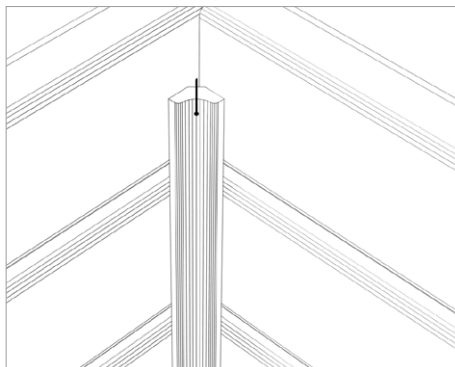
SI 25 x 25 mm is designed for fastening wall panels with a thickness of 15 mm.



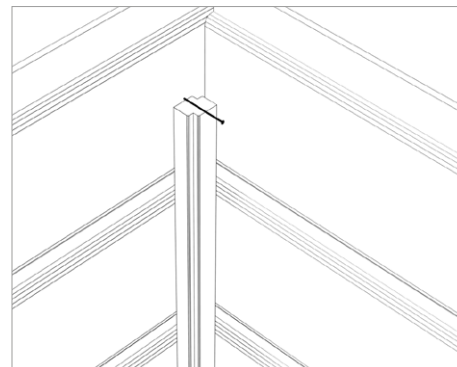
SHP 21x21



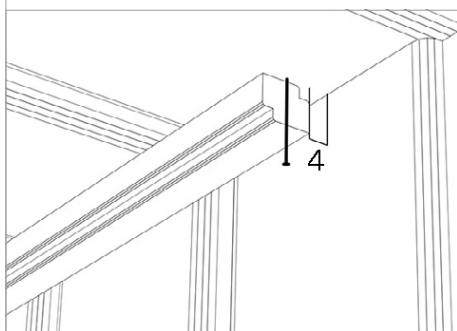
SI 14x30



SI 15x18



SI 15x18 mm can be used to cover the gap between the ceiling and the wall.



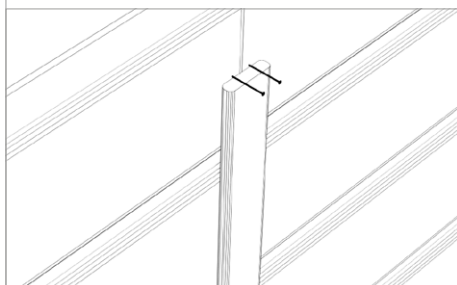
When installing mouldings on the ceiling, leave a gap of 4 mm between the mouldings and the wall to enable air movement.

2.3 COVER MOULDINGS

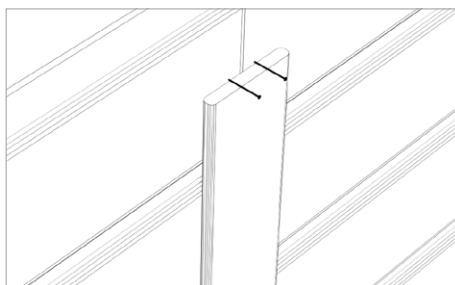
You can use suitable cover mouldings to hide joints in the sauna's wall panels. This will ensure a flawless, decorative finish.

These mouldings are ideal when you need to use shorter wall panels in your sauna space. Our KA mouldings can also be used as a supplementary design element, for instance to offset a light-colored wall with a darker tone or vice versa.

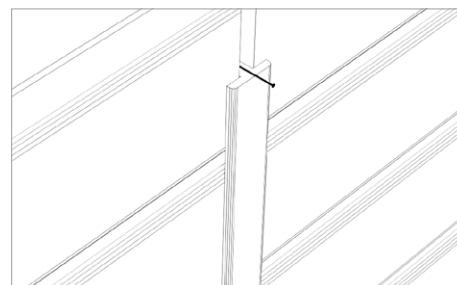
KA 8x34



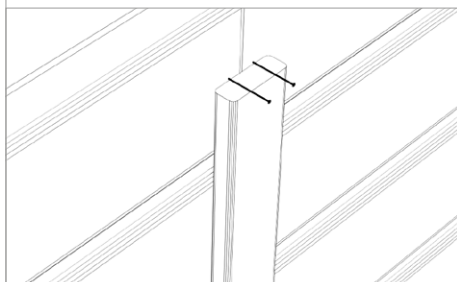
KA 8x65



T 17x32



SHP 15x45



UK 12x42 (door cover moulding)

