

# USER MANUAL

## RA 18 CONTROL PANEL

### Type 1601 - 18

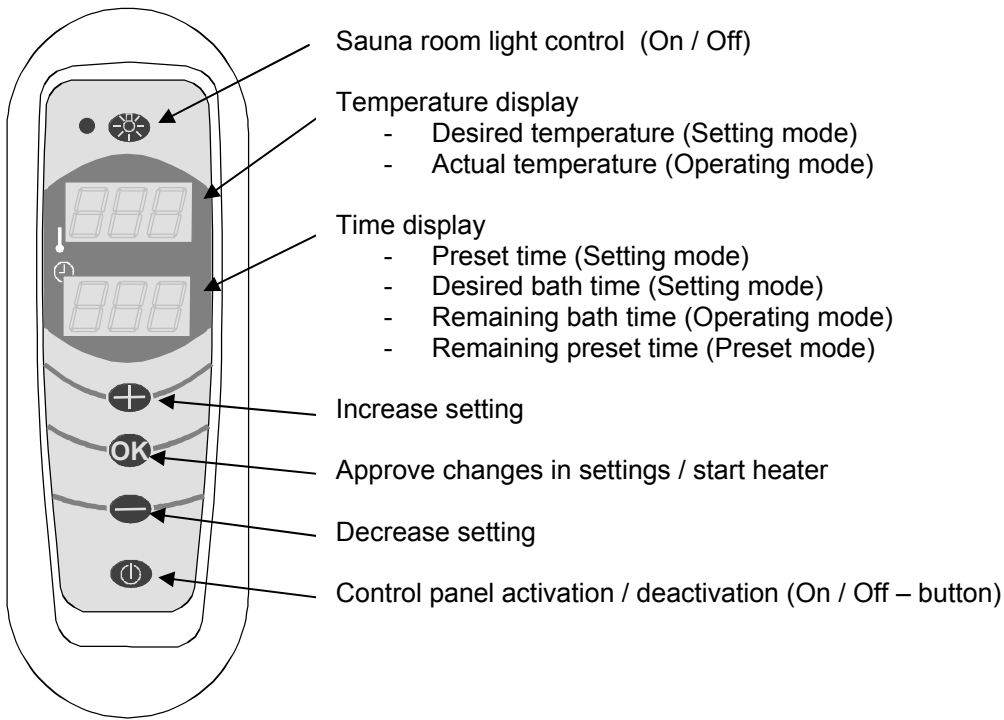


#### General:

- Control panel is intended to be installed next to the heater in the area outlined in the manual.
- The control panel is compatible with the following heater models:
  - 1707 – ... – 0405 ( SKSG....DE )
  - 1712 – ... – 0405 ( SKSM....DE )
  - 1712 – ... – 040520 ( SKSM....DEW )
  - 1116 – ... – 0405 ( SKLR....DE )
  - 1118 – ... – 0405 ( SKLT....DE )
  - 1120 – ... – 0405 ( SKLW....DE )
- Maximum heating time 6 hours. Maximum preset time 23 hours.
- Adhere to given installation measurements.
- Heater and connection into the mains can only be carried out by an authorised person according to current electricity regulations.
- **NOTE!** Prior to switching the heater on, ensure that the sauna room is ready for heating.

Persons with reduced physical and mental capacity, sensory handicap or little experience and knowledge about how the device is operated (e.g. children) should only operate the device while supervised or according to instructions given by the persons in charge of their safety.  
Make sure that children are not playing with the sauna heater.

## Control panel RA 18:



**On / Off – button:**  
Starts and stops functions.  
When the equipment is active, pressing this button will stop all functions and display will turn off.  
When button is pressed when the equipment is in passive mode (display off), it will activate the control.



**OK – button:**  
Approves changes in settings or moves to the next setting depending on function mode.



**Plus – button:**  
Increase setting



**Minus – button:**  
Decrease setting



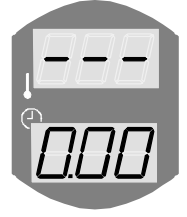
Activates a relay on the circuit board. Electrical connectors for lighting are marked with a N and a light-symbol on the connector strip, voltage is 230 VAC, max 100W. A led is activated next to the button on the control panel when lights are activated.

### Function times and settings:

- preset time                   0 ... 23 hours
- function time                0 ... 6 hours

## Control panel functions:

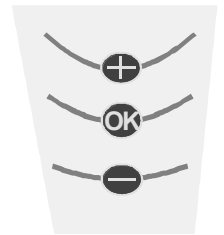
1. Press the On/Off button of the control panel. Both displays of the control unit will turn on and the panel switches to setting mode. If you get no response when pressing the On/Off button, please check the position of the main switch in the sauna heater. The correct position is ( I ).



2. The upper display shows three bars ( - - - ) and the lower display (time display) flashes digits 0.00, which indicates that the preset time can be changed. The default value of the preset time is 0.00 (i.e. the sauna heater turns on immediately after the bathing time and temperature have been set).

**If you want the heater to turn on after a certain period of time, you must set the time (preset time) each time you turn the control panel on.**

3. The preset time is changed by pressing + or – buttons. If none of the buttons is pressed in 5 seconds, the current time in the display will be saved in the memory. You can also save the setting by pressing OK. **NOTE: The control panel remembers the preset time as long as the panel is in the active mode.**



4. Once the preferred preset time has been set and accepted, the control panel moves on to display the settings for bathing temperature and time. The upper display starts flashing, which indicates that the bathing temperature can be changed. The bathing temperature is changed by pressing + and – buttons similarly to changing the preset time. Once the time is changed, save the setting by pressing OK or by waiting for 5 seconds.

**The setting for bathing temperature remains in the control panel memory after switching it off.**



5. Next the lower display starts flashing, which indicates that the bathing time can be changed. The bathing time is changed by pressing + and – buttons similarly to changing the bathing temperature. Once the time is changed, save the setting by pressing OK or by waiting for 5 seconds.

**The setting for bathing time remains in the control panel memory after switching it off.**



6. The control panel switches to active mode after the preset time, bathing temperature and bathing time have been set. In the active mode, the sauna heater functions as follows:

- If the preset time is default 0.00 (i.e. not changed in the setting mode), the sauna heater will turn on immediately and the temperature display shows the current temperature of the sauna room while the time display shows the remaining bathing time.
- If the preset time is not 0.00 (i.e. the default setting has been changed in the setting mode), the control panel switches to the preset mode. In this mode, the upper display shows three bars (- - -) and the lower display shows the remaining preset time. The dot between hours and minutes in the time display flashes to indicate that the preset mode is activated. Once the preset time has elapsed, the sauna heater will turn on and start heating up.



**Some useful tips:**

- The sauna heater / control panel can be switched off at any time by pressing the On/Off button.
- You can speed up the selection of setting values by keeping the button + or – pressed.
- If the settings stored in the memory (bathing temperature and time) are applicable, you can turn the sauna heater on simply by pressing the On/Off button of the control panel. The control panel displays the settings and starts the sauna heater automatically, if no buttons are pressed.

**The control panel is able to display certain malfunctions:**

The control panel is able to display certain malfunctions that may arise while using the sauna. These are the corresponding error messages:

<b>Err 1</b>	Overheating protection activated
<b>Err 2</b>	Sensor malfunctioning
<b>Err 3</b>	Serial traffic between the sauna heater and the control panel is not working



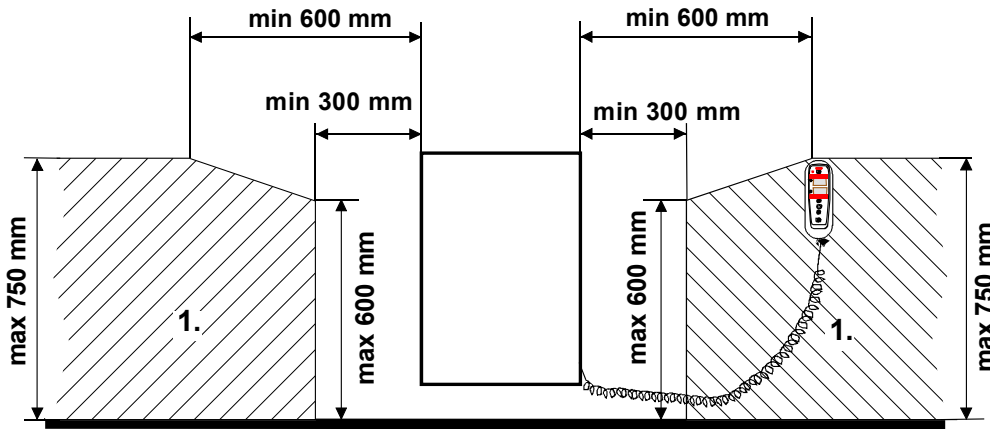
These malfunctions must be repaired by a qualified technician. Please contact the nearest authorised repair shop.

Placement of the control panel with different heater types:

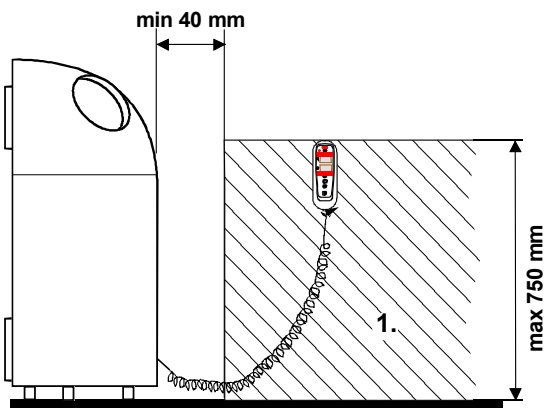
The control unit must be installed on the dashed area (1.)  
(min and max measurements must be followed!)

Placement of the control panel in the sauna room with sauna heater type:

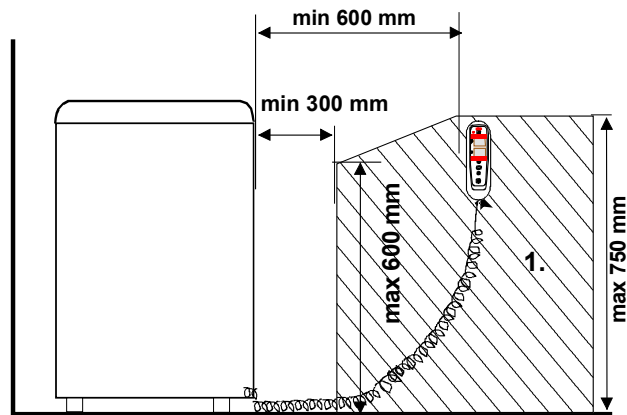
- 1707 - ... - 0405 (SKSG - ... - DE)
- 1712 - ... - 0405 (SKSM - ... - DE)
- 1712 - ... - 040520 (SKSM - ... - DEW)



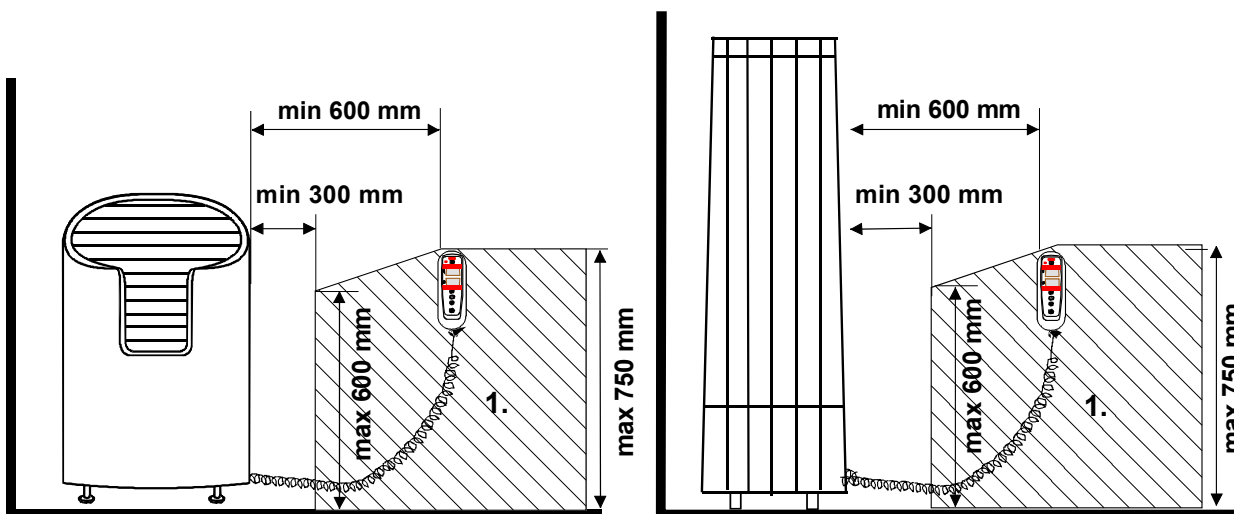
Placement of the control panel in the sauna room with sauna heater type: 1116-...-0405 (SKLR-...\_DE)



Placement of the control panel in the sauna room with sauna heater type: 1120-...-0405 (SKLW-...\_DE)



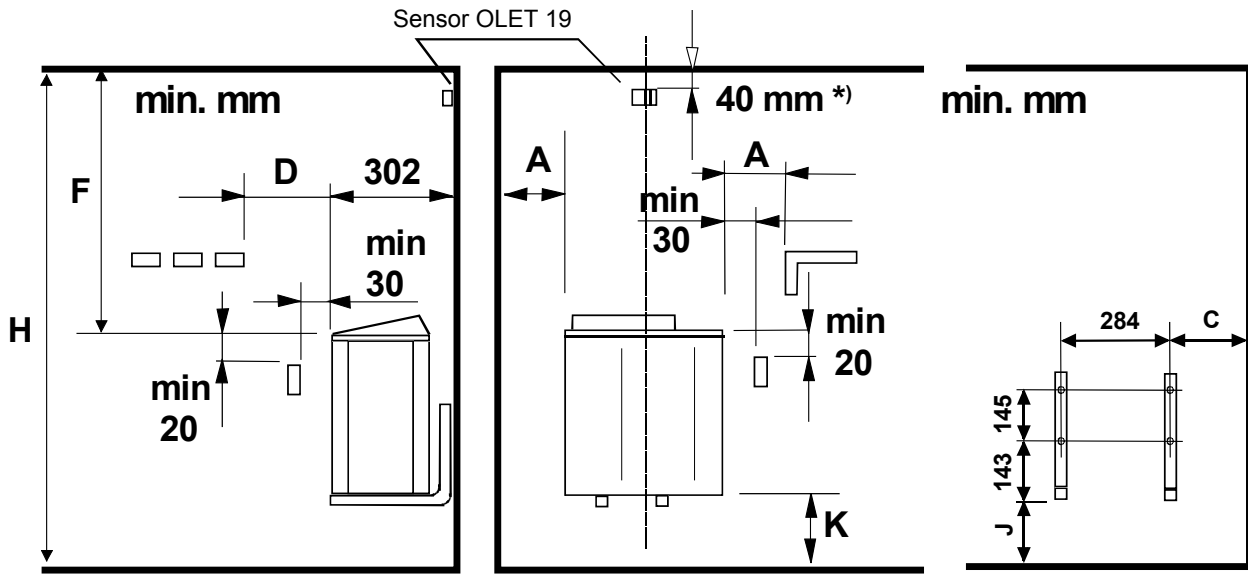
Placement of the control panel in the sauna room with sauna heater type: 1118-...-0405 (SKLT-...\_DE)



Sensor OLET 19 placement with different heaters:

Sensor placement in the sauna room with  
sauna heater type: **1707-...-0405 (SKSG-...-DE)**

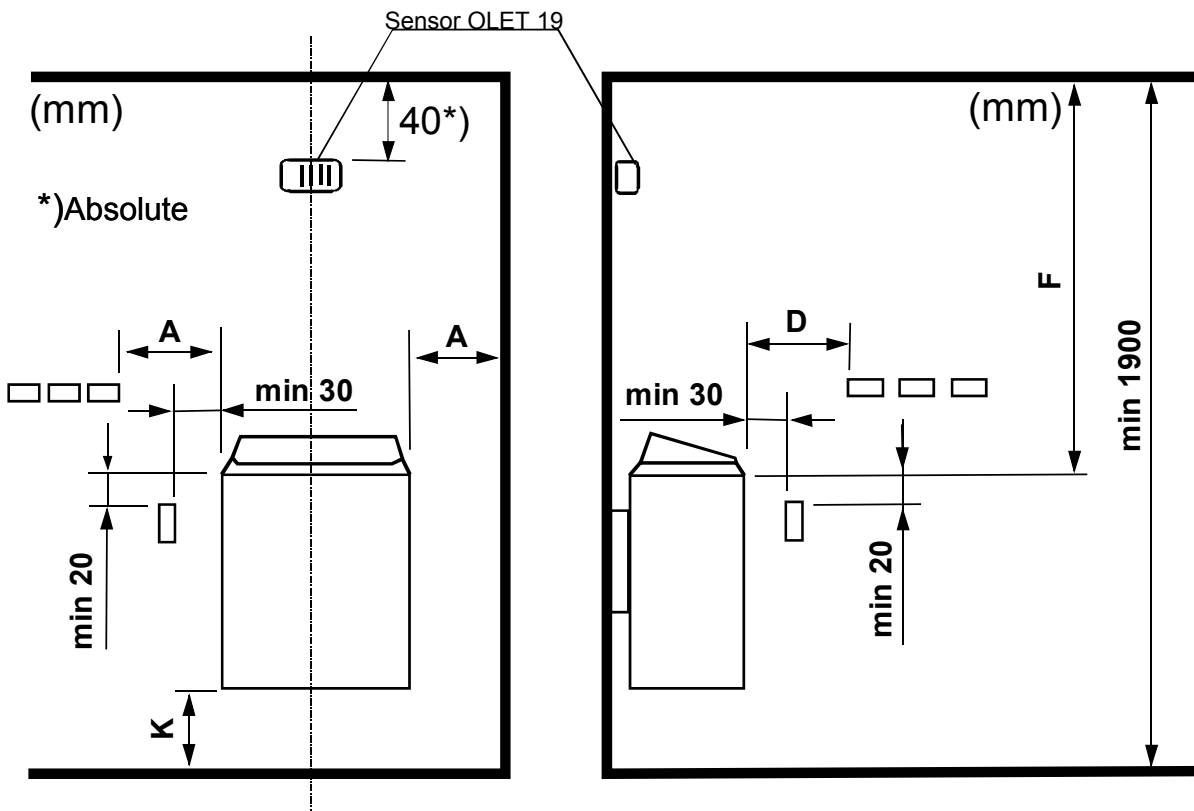
The sensor is fitted on the center line of the heater  
40 mm from ceiling



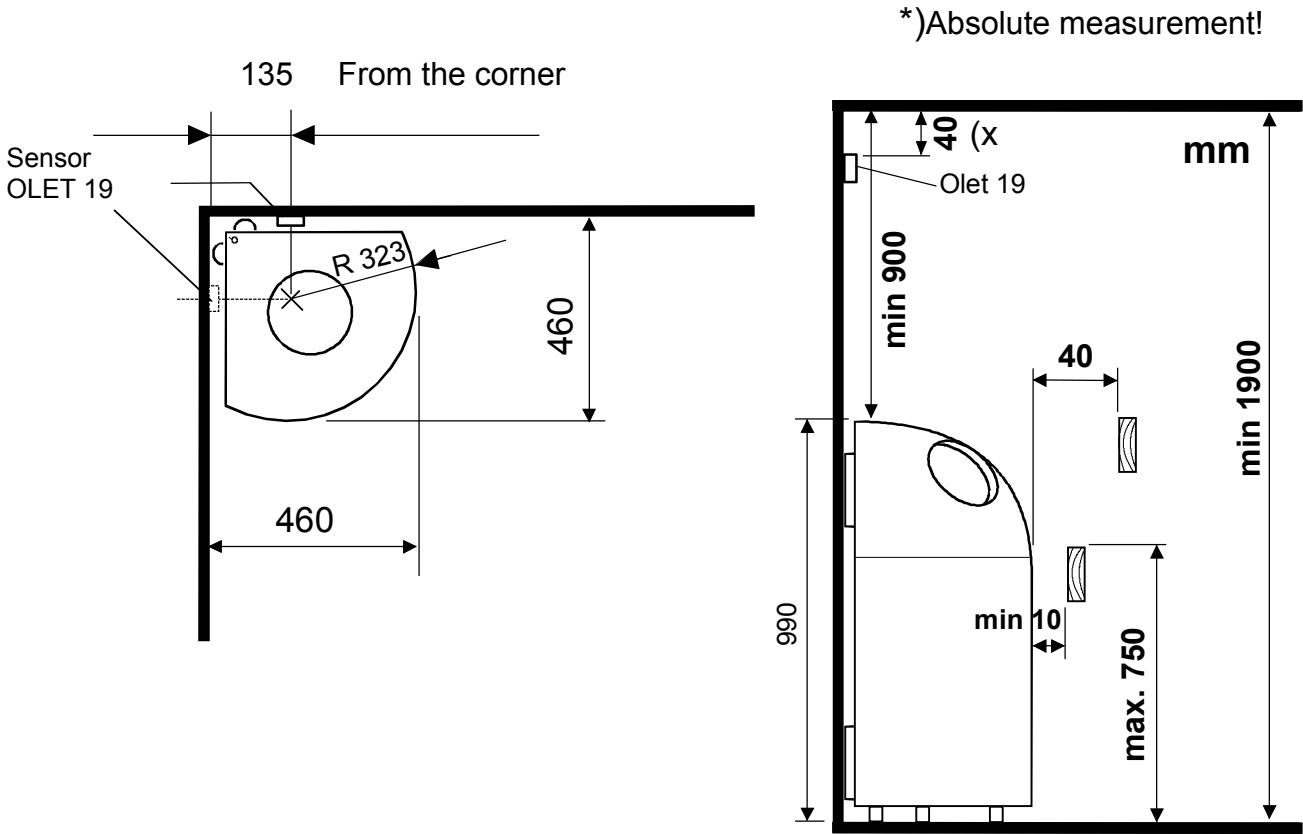
The specified clearances are minimum clearances except for \*), which marks an absolute measurement. The sensor is fitted on the center line of the heater.

Sensor placement in the sauna room with  
sauna heater type: **1712-...-0405 (SKSM-...-DE)**  
**1712-...-040520 (SKSM-...-DEW)**

The sensor is fitted on the center line of the heater  
40 mm from ceiling

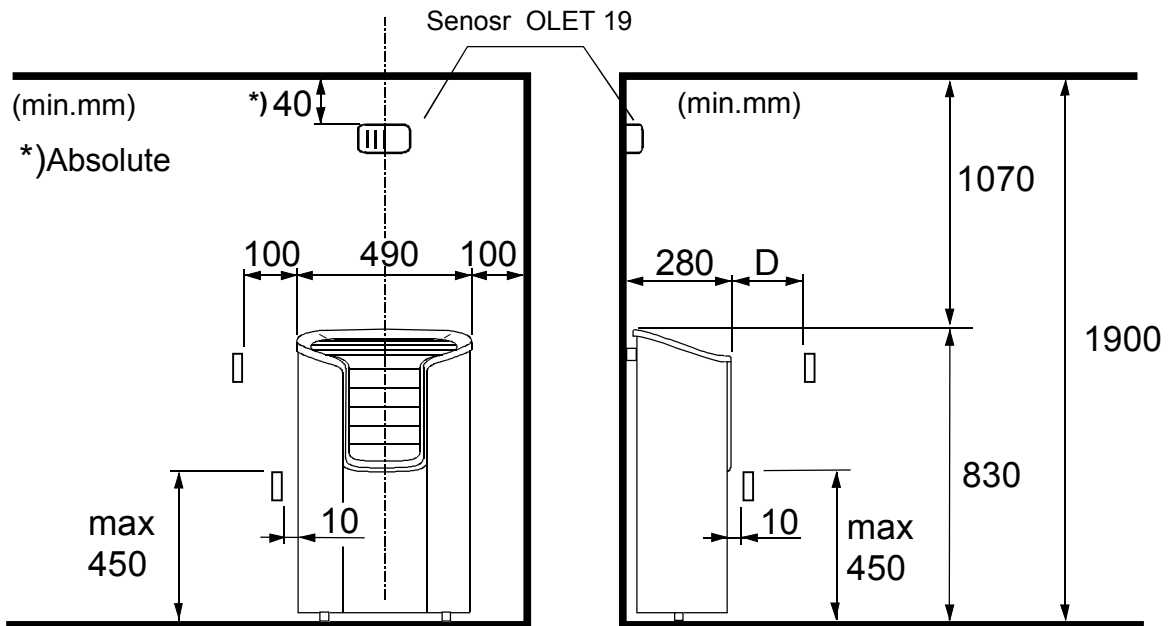


Sensor placement in the sauna room with  
sauna heater type: **1116-...-0405 (SKLR-...-DE)**



Sensor placement in the sauna room with  
sauna heater type: **1118-...-0405 (SKLT-...-DE)**

The sensor is fitted on the center line of the heater  
40 mm from ceiling

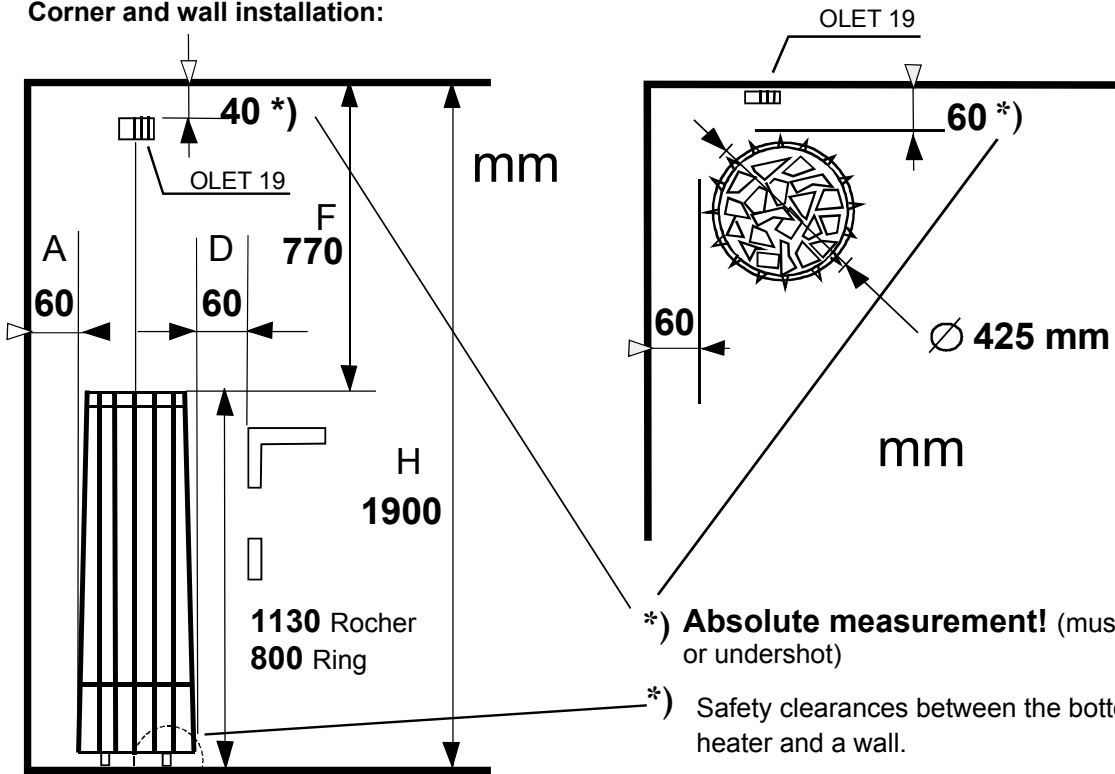


Sensor placement in the sauna room with  
sauna heater type: 1118-...-0405 (SKLT-...-DE)

Measurement is minimum (mm)  
if nothing else is stated.

The sensor is fitted on the center line of the heater  
40 mm from ceiling

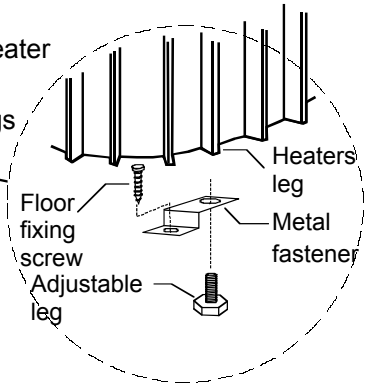
**Corner and wall installation:**



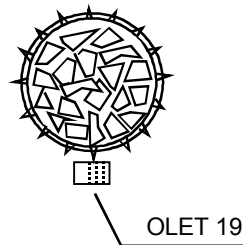
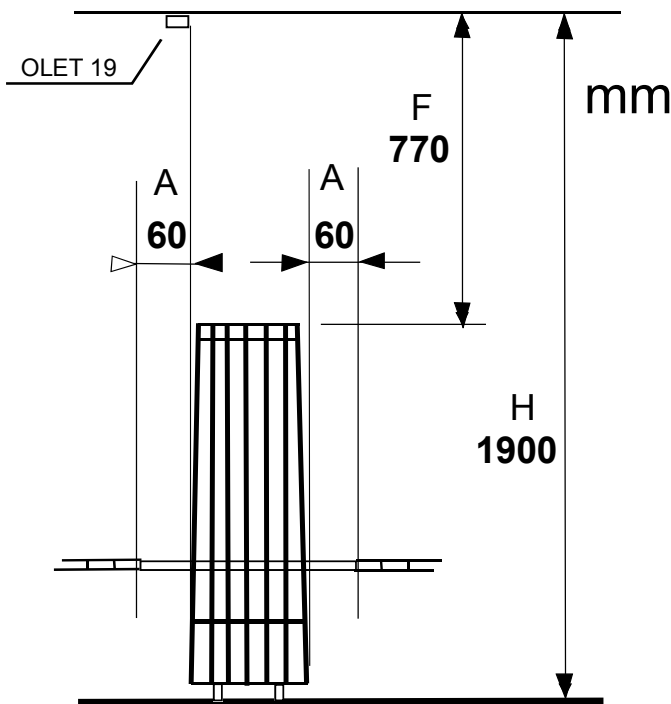
\*) **Absolute measurement!** (must not be exceeded or undershot)

\*) Safety clearances between the bottom of the sauna heater and a wall.

Fixing the sauna heater  
on the floor. NOTE  
fixing of two (2) legs



**Middle installation:**



**NOTE!** If the sauna heater is installed further than 60mm off a wall or a corner, the installation method is always middle installation. The thermostat must be installed in the ceiling, as per instructions.

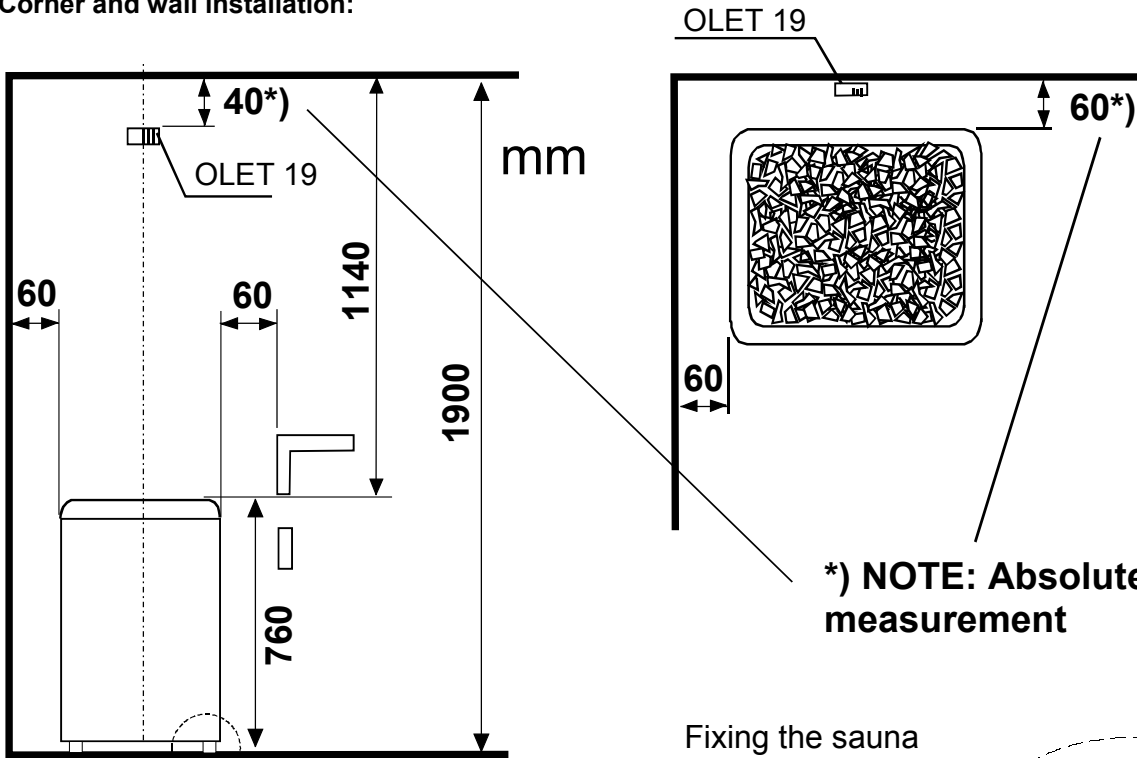


Sensor placement in the sauna room with sauna heater type: 1120-...-0405 (SKLW-...-DE)

The sensor is fitted on the center line of the heater 40 mm from ceiling

Measurements are minimum (mm) if nothing else is stated

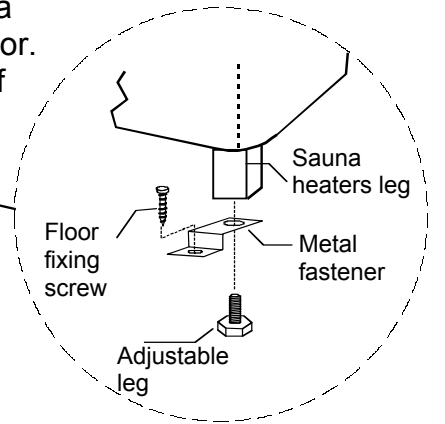
**Corner and wall installation:**



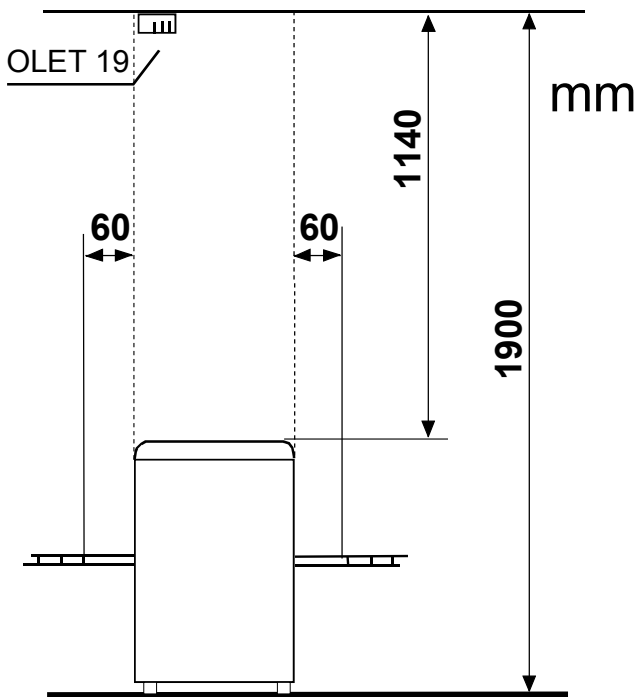
**\*) NOTE: Absolute measurement**

Image 4

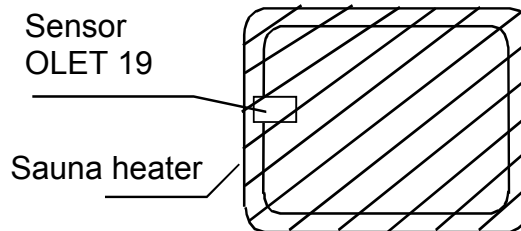
Fixing the sauna heater to the floor.  
NOTE! Fixing of two (2) legs



**Middle installation:**

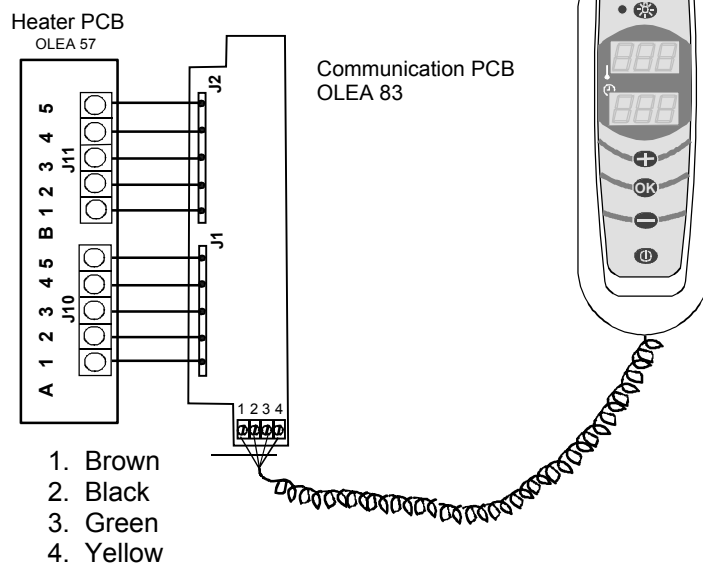
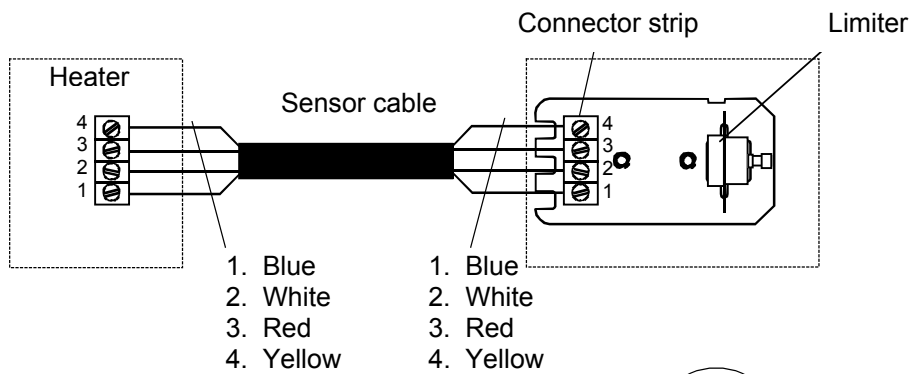
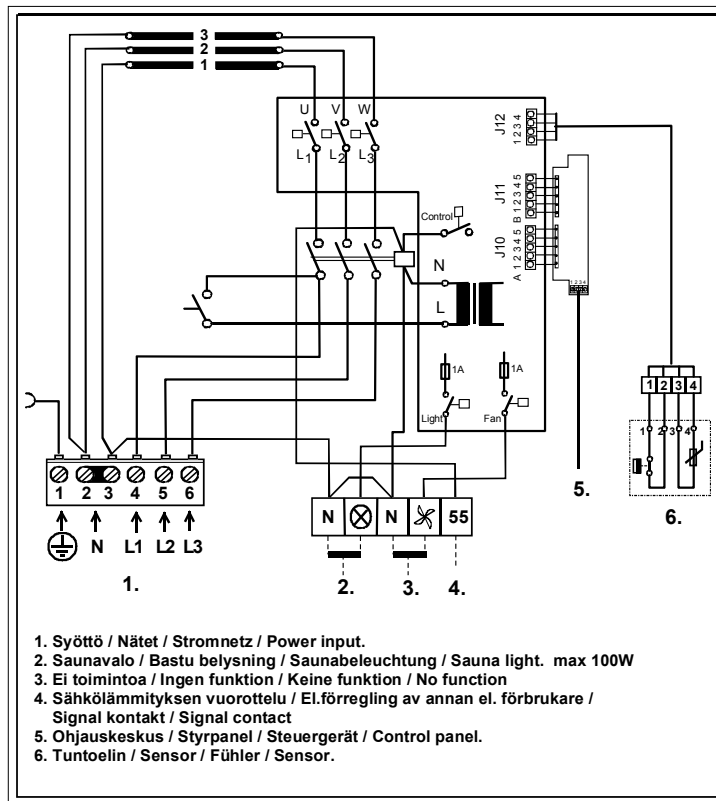


The thermostat must be installed within the dashed area to the ceiling above the sauna heater.

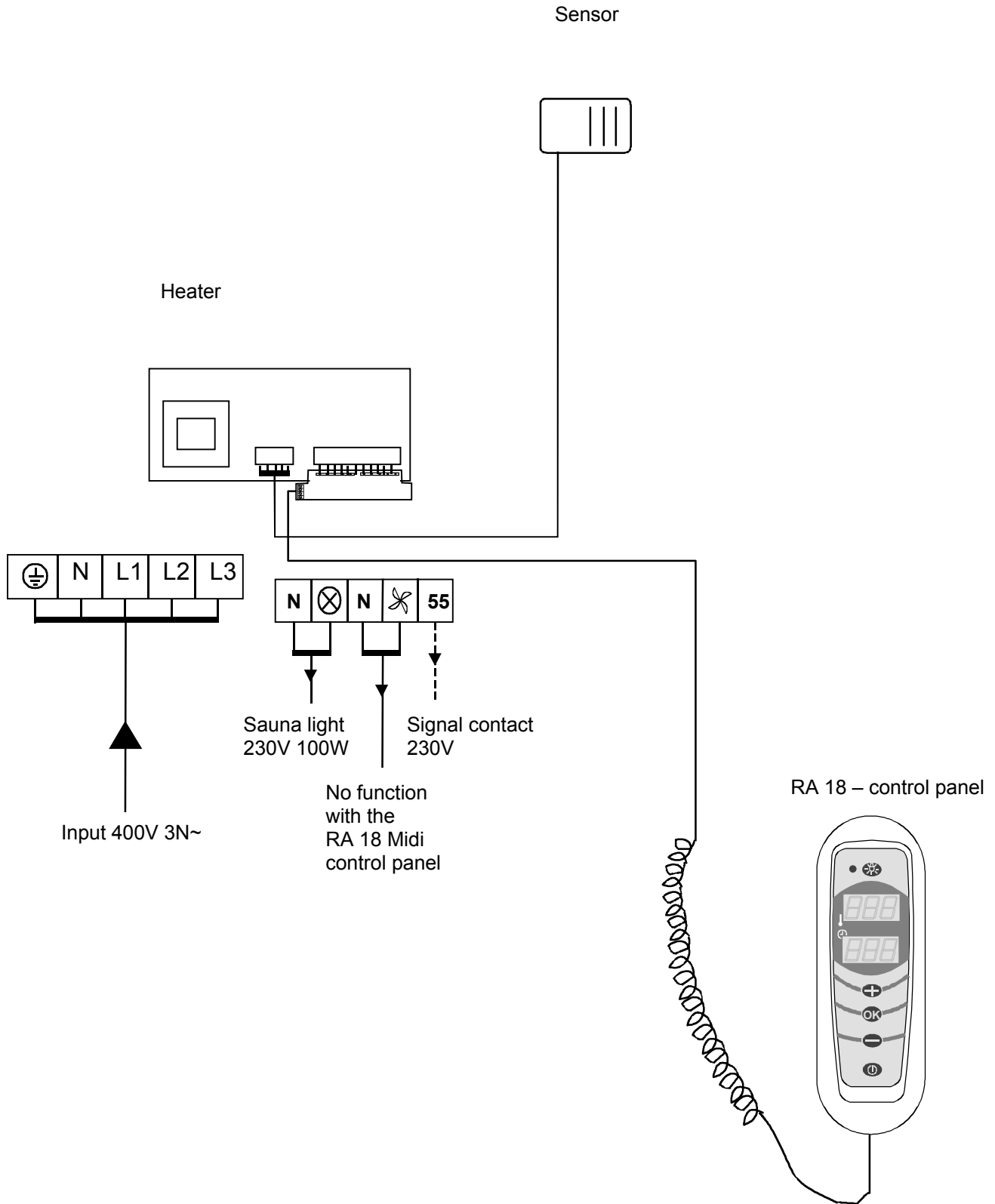


**NOTE!** If the sauna heater is installed further than 60mm off a wall or a corner, the installation method is always middle installation. The thermostat must be installed in the ceiling, as per instructions.

# Wiring diagrams



# Wiring diagrams



## RA 18 Control panel installation

1. First fasten the wooden base plate for control panel to the wall with the provided screws. Make sure the base plate is placed within the allowable installation area (for detailed instructions please refer to the sauna heater manual). Use a builder's level to make sure the plate stays straight during installing.



2. Place the control panel accurately on the wooden base plate and drill a 2 – 3 mm hole through the upper part of the casing. Depth of the hole is not critical, because the purpose of the hole is to merely assist driving the screw into the wooden base.



3. Subsequently, fasten the control panel onto the wooden base plate with screws. Make sure the control panel is straight in relation to the base plate, drill a hole through the lower part of the casing and fasten with screws.



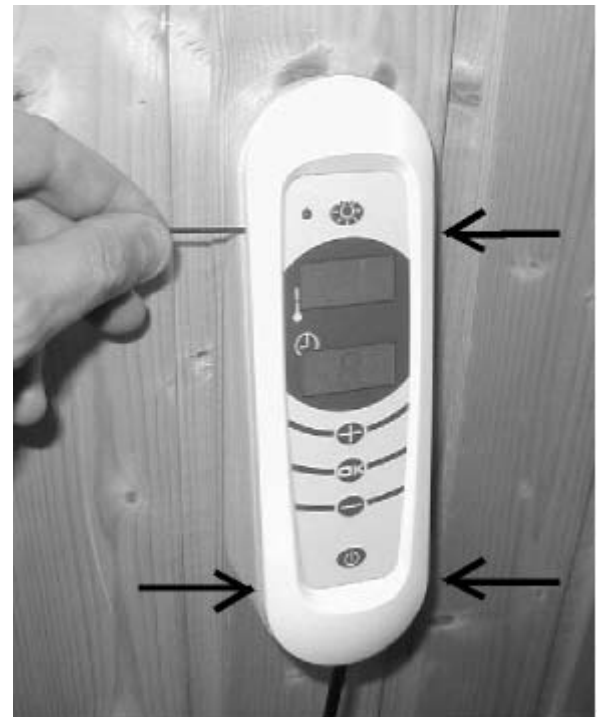
4. Before driving the screws tightly, make sure the cable is not pressed between the control panel and the wooden base, but securely placed in the intended groove.



5. Set the control panel frame in place by pressing with your hands.



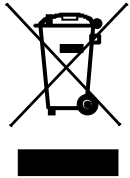
6. The frame is removed by pressing the four grooves in the frame with a small rod or screw driver and slightly twisting outwards.



### Instrucciones de protección medioambiental

Este producto no debe ser tratado como un residuo doméstico normal al final de su vida útil, sino que debe depositarse en el punto de recogida adecuado para el reciclaje de equipos eléctricos y electrónicos.

La presencia de este símbolo en el producto, en el manual de instrucciones o en el paquete indica lo anteriormente mencionado.



Los materiales pueden reciclarse según las marcas que figuren en ellos. Mediante la reutilización o aprovechamiento de estos materiales, o la reutilización de equipos antiguos, se contribuye de manera importante a la protección del medio ambiente. Nota: este producto debe entregarse en el centro de reciclaje sin las piedras de sauna ni la cubierta de esteatita.

### Instructions for environmental protection

This product must not be disposed with normal household waste at the end of its life cycle. Instead, it should be delivered to a collecting place for the recycling of electrical and electronic devices.

The symbol on the product, the instruction manual or the package refers to this.



The materials can be recycled according to the markings on them. By reusing, utilising the materials or by otherwise reusing old equipment, you make an important contribution for the protection of our environment. Please note that the product is returned to the recycling centre without any sauna rocks and soapstone cover.

Please contact the municipal administration with enquiries concerning the recycling place.

### Instructies ter bescherming van het milieu

Dit product mag aan het einde van de levensduur niet worden weggegooid via het normale huishoudafval. In plaats daarvan moet het worden afgegeven bij een inzamelplaats voor het recyclen van elektrische en elektronische apparaten.

Dit is waar het symbool op het product, de gebruiksaanwijzing of de verpakking naar verwijst.



Het materiaal kan worden gerecycled op basis van de aangebrachte markeringen. Door hergebruik van materialen of oude apparaten levert u een belangrijke bijdrage aan de bescherming van ons milieu. Lever het afgedankte product af bij de inzamelplaats zonder saunastenen of het deksel van speksteen.

Voor vragen over de inzamelplaats kunt u contact opnemen met de gemeente.

### Instructions pour la protection de l'environnement

Ce produit ne doit pas être mêlé aux ordures ménagères en fin de vie. Il doit être déposé dans un centre de collecte pour le recyclage des appareils électriques et électroniques.

Le symbole apposé sur le produit, la notice d'utilisation ou l'emballage l'indique.



Les matières peuvent être recyclées conformément à leur marquage. En réutilisant, recyclant les matières ou en utilisant différemment un vieil équipement, vous contribuez considérablement à la protection de l'environnement. Attention : ce produit doit être déposé au centre de recyclage sans pierres et sans parement en stéatite.

Veillez contacter votre Municipalité pour connaître le centre de recyclage.