

INSTALATION INSTRUCTIONS FOR THE VOK and VO Standard and Heat Resistant model In-line Axial Fan

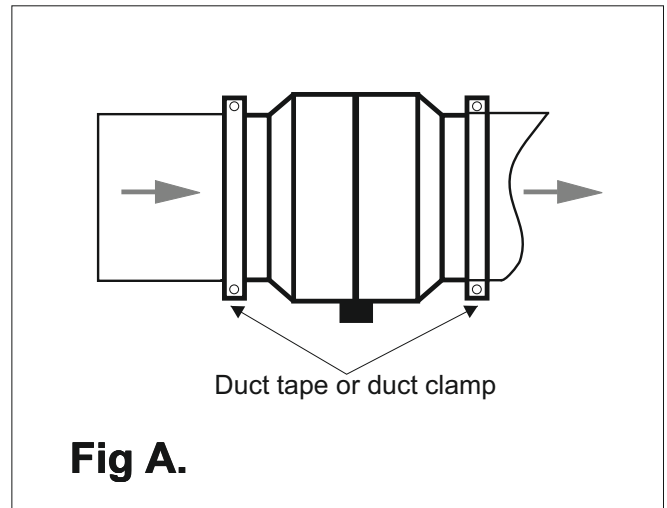
NOTE

Switch off mains supply before making any electrical connection or maintenance. If in any doubt contact a qualified electrician. All wiring must comply with IEE Regulations. The power cable must be a minimum of 1mm sq in section.

**Please make sure your fan is not exposed to temperatures above its designed specifications: VOK High temperature 150°C
VOK Basic model at 80°C**

The VOK in-line duct fan can be fitted anywhere into the ducting system in vertical or horizontal position and can either be connected to the light switch or separate switch.

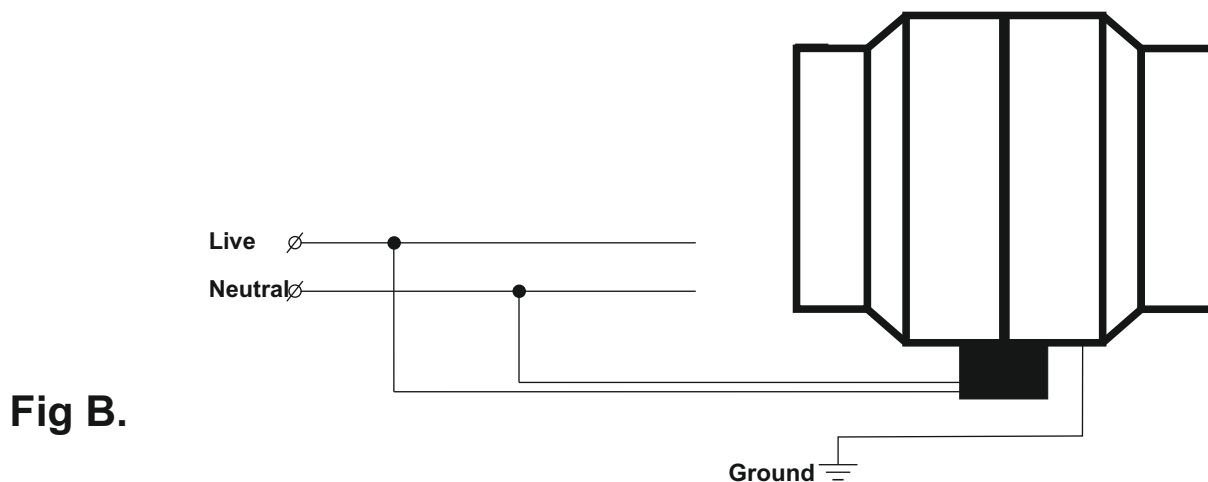
1. Locate the place in the duct where you wish to install the In-Line Duct Fan. Align the fan according to the direction of flow - look at arrow label.
2. Cut the flexible duct and slide the in-line duct fan in place, by slipping the flexible duct over the inlet and outlet of the fan. Make sure the unit is well supported and complete the installation by securing the duct fan to the flexible duct with good quality duct tape or duct clamp for the heat resistant models.
3. Bring the power cable into position. For correct connection refer to the wiring diagrams Fig B.



NOTE: If the fan is fitted with back shutter, make sure the shutter is in vertical position or remove back shutter if the fan is mounted vertically

Wiring Diagrams

STANDARD AND HEAT RESISTANT MODELS VOK and VO series



Standard model: connected to the light switch or separate pullcord switch.

With Thermostat: The unit will switch on when the temperature reaches 50°C and will switch off when it drops to 35°C.

VOK with thermal relay

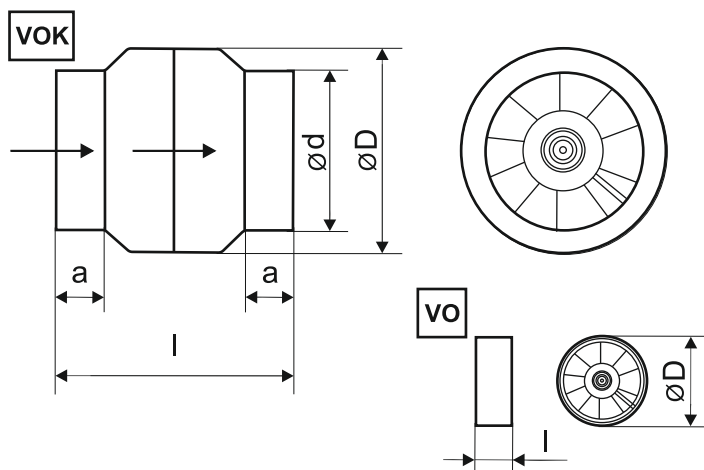
The fan will switch on when the temperature reaches 50°C and will switch off when it drops to 35°C.

IMPORTANT

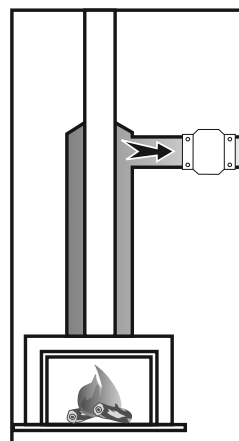
Switch off mains supply before making any electrical connections.

If in any doubt contact a qualified electrician. All wiring must comply with current I.E.E. Regulations.

Dimension



Type	a	l	ød	ØD
VO 120	-	40	-	120
VOK 120/100	28	130	100	120
VOK 120/110	35	135	110	120
VO 135	-	60	-	135
VOK 135/100	27	145	100	135
VOK 135/110	27	145	110	135
VOK 135/120	27	145	120	135
VO 150	-	55	-	150
VOK 150/100	28	150	110	150
VOK 150/110	28	150	120	150
VOK 150/120	28	150	130	150



Technical data

Technical characteristics						
Type	Hz / V	min ⁻¹	m ³ / h	Pa	W	dB
VO 120 VOK 120/100 VOK 120/110	50/220~240	2650	150	75	18	39
VO 135 VOK 135/100 VOK 135/110 VOK 135/120	50/220~240	2650	205	85	42	41
VO 150 VOK 150/100 VOK 150/110 VOK 150/120	50/220~240	2600	240	110	46	51

Max Noise level at 1m distance!

GUARANTEE

Your MMotors Induct fan comes with a free 3 year manufacturer's guarantee.

The MMotors extractor fans are fitted with double insulated high-efficiency electric motors, which are totally maintenance free and sealed for life. The embedded Long Life double capsulated ball bearings guarantee smooth operation for at least 30 000 hours.

MMotors extractor fans are manufactured to conform to the highest European standards, and we are confident that they are totally reliable. However, in the unlikely event a fault may occur, they have a full three year guarantee which covers you for manufacturing faults or parts failure.

In order to be covered for the five years, please keep your proof of purchase and return the appliance to the point of purchase where appropriate action will be taken. There is no need to complete the registration form.

Guarantee Document:

Product.....
 Type.....
 Date of purchase.....

Purchaser.....

Sales person.....



Factory: MMOTORS JSC
 3 Malak Iskar str.
 Etropole-Bulgaria
 Fax: (+359 720) 6 36 21
 E-mail: mmotors@mmotors-bg.com
 www.mmotors-bg.com