



**VENTILATION SOLUTIONS**

# Sauna & Steam Room Extractor Fans

A photograph of a wooden sauna interior. In the foreground, two white towels are rolled up and placed on a wooden bench. In the background, a wooden bucket with a handle and a wooden ladle is placed on another bench. The walls and benches are made of horizontal wooden slats.

# | We love your sauna

As a result of the abundant sweating and the thermal radiation process when using a sauna or steam room, toxins, fluids and bacteria, adversely affecting the human respiratory system, are released inside the premises. In this aspect, sauna ventilation is an important factor in improving comfort, rejuvenating the air, reducing the risk of damage to the lungs and the cardiovascular system.

Ventilation of the sauna and steam room further enhances the health effect by contributing to accelerate the body's own healing activity and ability to recover.

That's the reason why we have developed a specially designed high-temperature resistant fan for sauna and steam room that operates at temperatures up to 140°C and 100 % humidity. When the fan is turned off, a back shutter is provided to prevent the cold air from entering the premise.

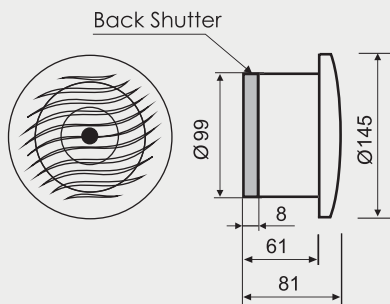
The fan's electric motor, housing, blade and valve are made of materials which enable the device to operate at high temperature and humidity, and it could be mounted directly into the premise without the risk of getting overheated.



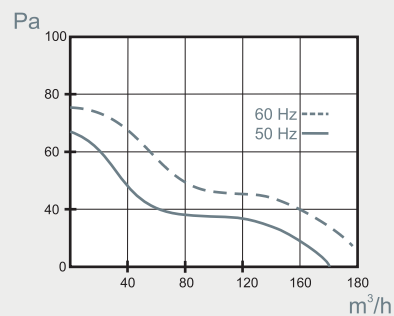
## MM SV 100



### Dimensions /mm/



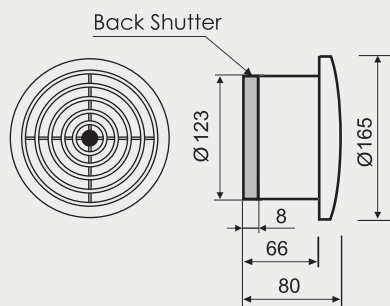
### Performance curves



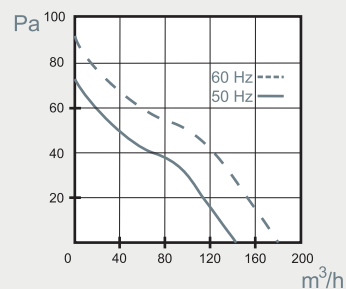
## MM SR 120



### Dimensions /mm/



### Performance curves



## Technical characteristic

Type	Product Code	Supply Voltage	Maximum Flow Rate	Consumed power	Maximum Flow rate	Protection Degree	Noise Level	Safety Zone	Max Air Temperature	Back Shutter /Accessory/	Product Code with Back Shutter
	<b>No</b>	Hz / V	min <sup>-1</sup>	W	m³/h	IP	dB	Zone	°C	<b>C</b>	<b>No</b>
MM SV 100	1986	50 / 230	2790	17	105	X4	39	2,3	+140	●	0248
MM SV 100 LV	8039	50 / 12	2790	17	105	X4	39	1,2,3	+140	●	7704
MM SV 100	9432	50 / 230	2750	18	169	56	32	2,3	+140	●	9531
MM SV 100 LV	9463	50 / 12	2750	18	169	56	32	1,2,3	+140	●	9951
MM SR 120	0255	50 / 230	2650	18	150	56	42	2,3	+140	●	0262
MM SR 120 LV	-	50 / 12	2650	18	150	56	42	1,2,3	+140	●	-



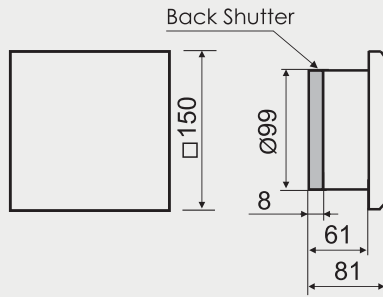
## MM ST 100



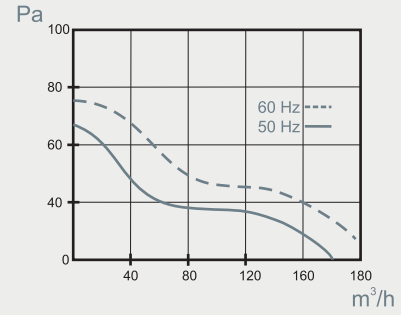
**LONG life**  
30.000h



### Dimensions /mm/



### Performance curves



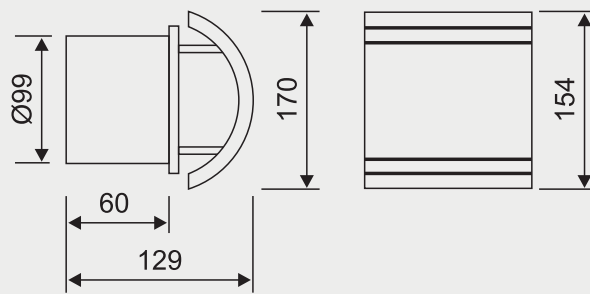
## MM SE 100



**LONG life**  
30.000h



### Dimensions /mm/



### Technical characteristic

Type	Product Code	Supply Voltage	Maximum Flow Rate	Consumed power	Maximum Flow rate	Protection Degree	Noise Level	Safety Zone	Max Air Temperature	Back Shutter /Accessory/	Product Code with Back Shutter
	<b>No</b>	Hz / V	min <sup>-1</sup>	W	m <sup>3</sup> /h	IP	dB	Zone	°C	<b>C</b>	<b>No</b>
MM ST 100	8060	50 / 230	2790	17	105	X4	39	2,3	+140	●	0514
MM ST 100 LV	-	50 / 12	2790	17	105	X4	39	1,2,3	+140	●	-
MM ST 100/169	9449	50 / 230	2750	18	169	56	32	1,2	+140	●	-
MM SE 100	8077	50 / 230	2790	17	105	X4	39	2,3	+140	●	9012
MM SE 100 LV	-	50 / 12	2750	17	105	X4	39	1,2,3	+140	●	-
MM SE 100/169	9456	50 / 230	2750	18	169	56	32	1,2	+140	●	-



The codes are for fans with back shutter