



Technical data sheet

EOS Compact D18

Sauna control unit for dry Finnish sauna operation with 18 kW capacity

Electronic control unit for dry Finnish sauna operation. Compact series features a modern design housing in two finishes. Compact D18 stands out through 18 kW switching capacity and combines advanced features with great simplicity in use. Great for commercial use.

Your advantages:

- Easy to use thanks to the large colour 3,5" TFT display
- Modern design housing in two finishes
- 18 kW switching capacity
- Easy installation, recessed or on-surface mounting
- 4 user profiles with pre-programmed settings
- Output for light and fan, numerous additional functions
- Support for remote control and other extensions
- Made in Germany - quality by EOS

Specifications and features:

Housing:	Plastic, white or anthracite design
Temperature control:	30 - 115 °C
Heating time limitation:	6 h, 12 h, 18 h or unlimited
Time pre-selection:	yes, up to 24 h
Dimensions (HxWxD):	220 x 255 x 90 mm
Switching capacity:	18 kW, extendable
Light output:	230V N ~, dimmable
Fan output:	230V N ~, adjustable
Power supply:	400 V 3N ~ 50 Hz
Installation:	Wall-mounting or semi-recessed
Other functions:	Holiday home mode, 4 user profiles, EOSafe support, remote control, Eco / Hot function, error messages and others.



CE UK EAC IPx4 MADE IN GERMANY 

Connection overview

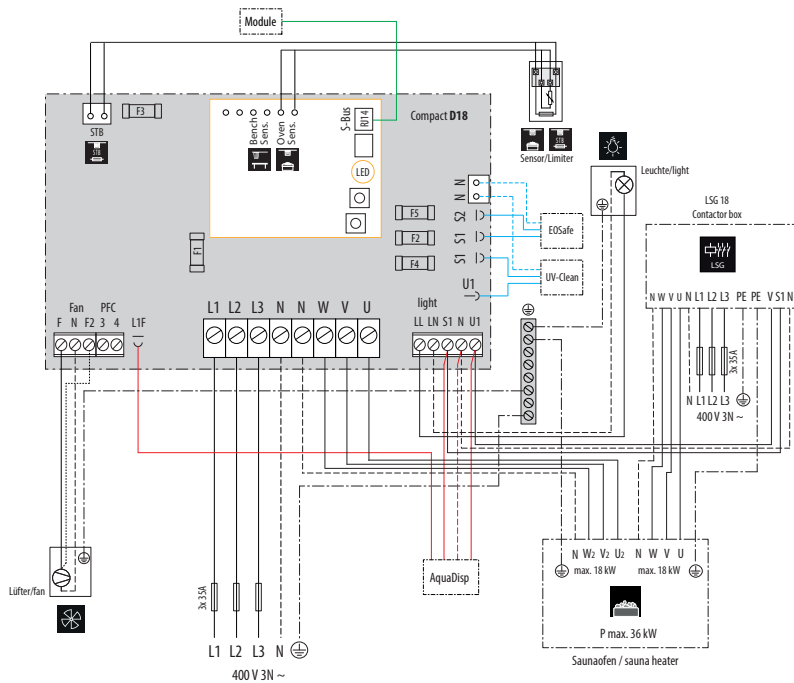


Diagram shows connection of various optional equipment.
Sauna heaters up to 18 kW require single-circuit design.

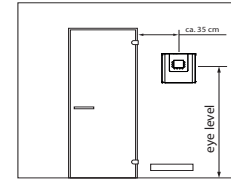
Options and extensions

Description	Item no.
Remote start module with push-button SBM-Remote	94.5782
Remote control module for KNX systems SBM-GLT-KNX	94.7078
Remote control module for Modbus systems SBM-GLT-Mod	94.7077
SBM-Hot module for HOT Function (power boost)	94.6800
SBM-Eco module for ECO Function (power save)	94.6980
Extra-long "sauna bus" RJ12 connection cable 25 m	94.4647

Technical specifications

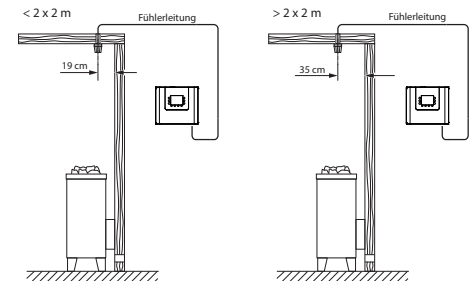
Item no.	Colour	Electrical connection	Switching capacity	Power extension via LSG unit	Temper. control range	Output for light and fan	Heating time limitation	Dimensions H/W/D in cm	Ambient temperature in operation	Weight without packing
94.7447	anthracite	400 V 3N ~ 50Hz	18 kW, extendable	yes	30 - 115 °C	yes / yes	6 h, 12 h, 18 h, ∞	22 / 25,5 / 9	-10 to +40 °C	1,5 kg
94.7445	white									

Place of installation



Sensor installation

For saunas:



Spare parts and accessories

Description	Item no.
Additional high limiter beige	94.7443
Additional high limiter anthracite	94.7444
Temperature sensor beige	94.7438
Temperature sensor anthracite	94.7437
Bench sensor beige	94.7439
Bench sensor anthracite	94.7440